

STATE WHEN ORDERING

- Surface treatment**
 Silver anodized
 Special anodized
 RAL
 Special powder coating

- Cover end plates**
 BK
 SI

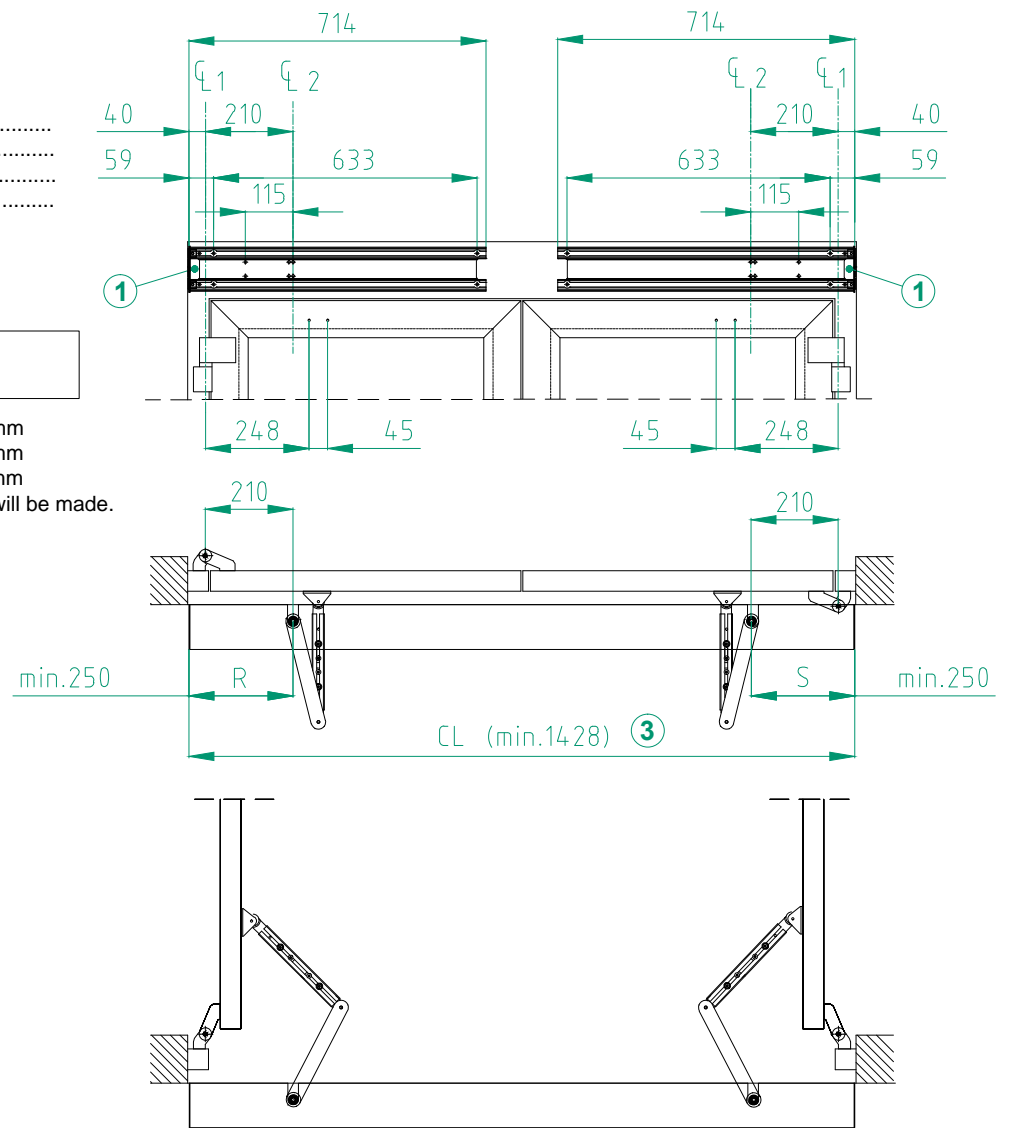
- Options see layers:**
 Modular

CL = mm
 R = mm
 S = mm
 If R and S are set to "0", no cutouts will be made.

	A
Standard (Telescopic L=230)	0-100
Extension (Telescopic L=345)	100-215
Extension (2x Telescopic L=230+Joint part)	215-305

X	Y	Shaft extension
2 - 17	48	0
2 - 37	68	20
2 - 67	98	50
2 - 87	118	70

- ∅1 Hinges
 ∅2 Operator drive shaft
 1 Cable inlet
 2 Reinforcements required in door leaf and at fixing holes
 3 If no battery, the back plate can be cut down to give a total CL of 1230 mm

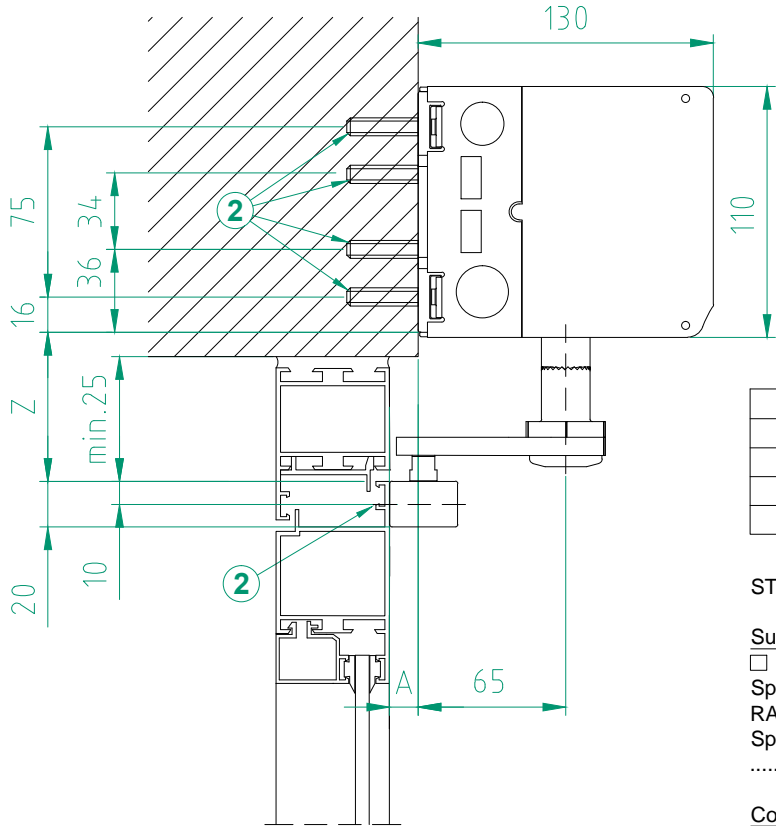


Customer: _____
 Door id: _____
 Project No: _____

Ref: _____
 Date: _____
 Sign: _____

ASSA ABLOY SW100-2
 Arm system PUSH
 Swing door operator

ASSA ABLOY
 12.0 1005082-en



Z	Shaft extension
48	0
68	20
98	50
118	70

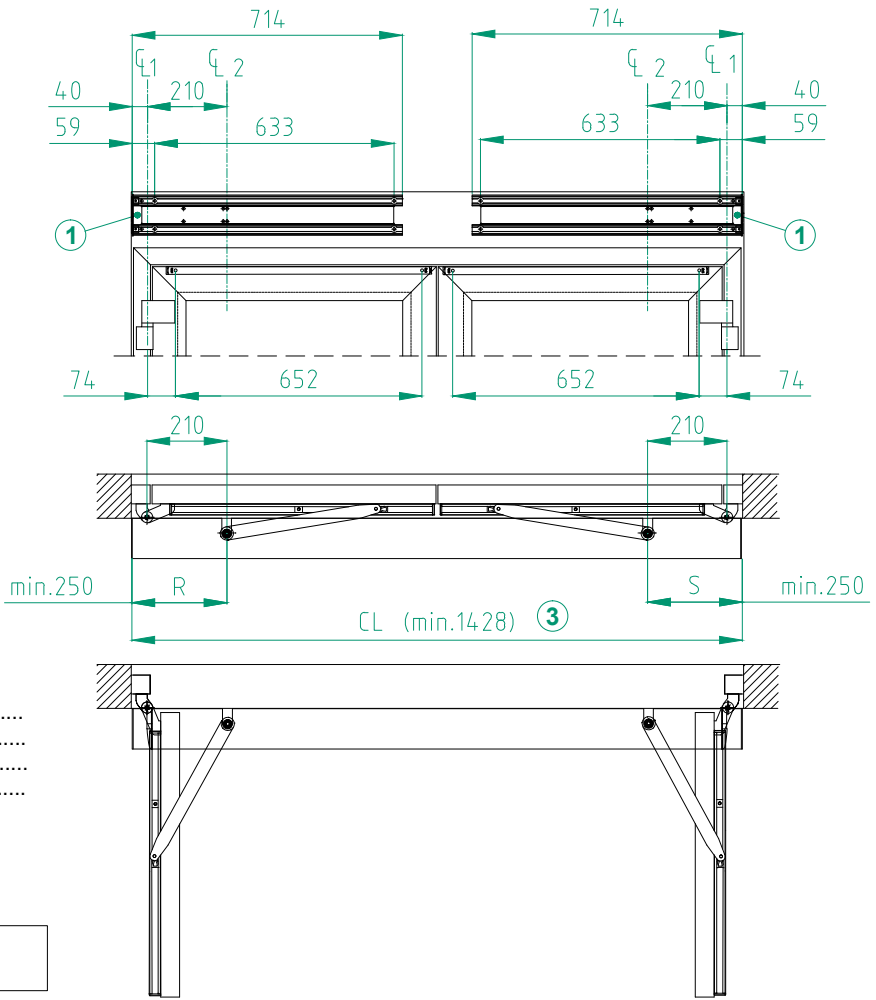
STATE WHEN ORDERING

- Surface treatment
 Silver anodized
 Special anodized
 RAL
 Special powder coating

- Cover end plates
 BK
 SI

Options see layers:
 Modular

CL = mm
 R = mm
 S = mm
 If R and S are set to "0", no cutouts will be made.



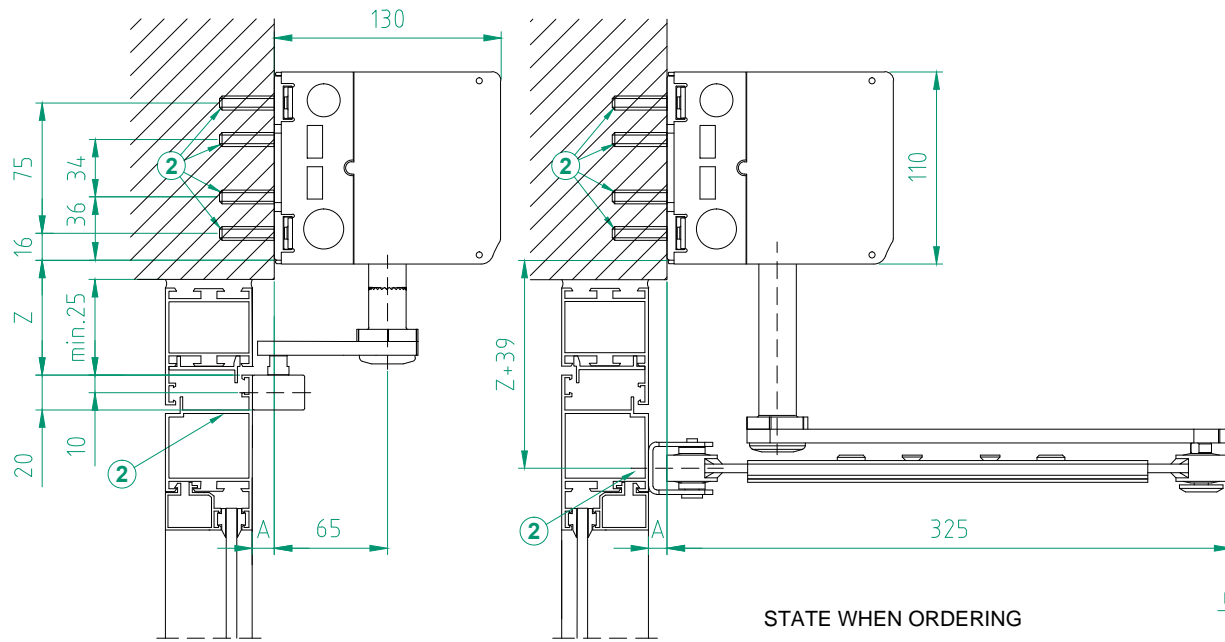
- 1 Hinges
- 2 Operator drive shaft
- A Reveal A=-20-130 mm
Min. door width = 750 mm
- 1 Cable inlet
- 2 Reinforcements required in door leaf and at fixing holes
- 3 If no battery, the back plate can be cut down to give a total CL of 1230 mm

Customer: _____
 Door id: _____
 Project No: _____

Ref: _____
 Date: _____
 Sign: _____

ASSA ABLOY SW100-2
 Arm system PULL
 Swing door operator

ASSA ABLOY
 12.0 1005082-en



Z	Shaft extension
48	0/50
68	20/70

- ⌀1 Hinges
- ⌀2 Operator drive shaft
- A Reveal A=0-130 mm
Max. door opening = 95°
Min. door width = 750 mm
- 1 Cable inlet
- 2 Reinforcements required in door leaf and at fixing holes
- 3 If no battery, the back plate can be cut down to give a total CL of 1230 mm

STATE WHEN ORDERING

- Surface treatment**
- Silver anodized
 - Special anodized
 - RAL
 - Special powder coating
 -

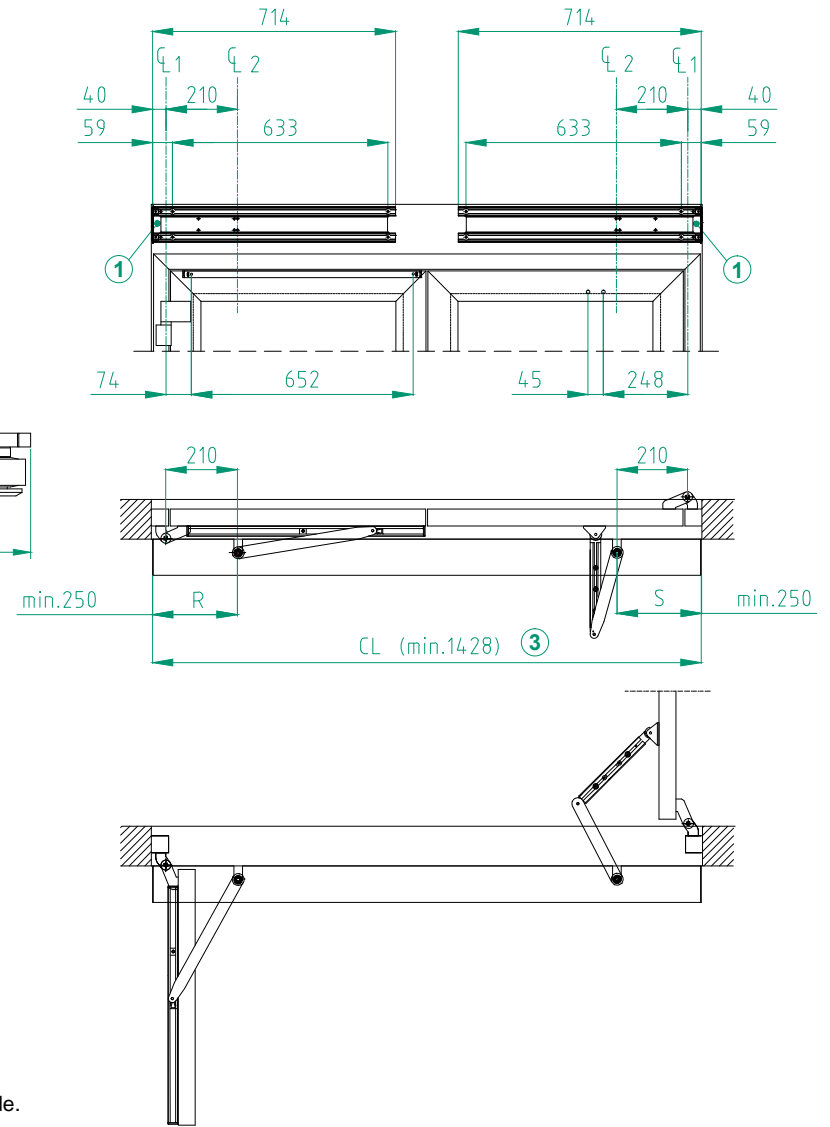
Cover end plates

- BK
- SI

Options see layers:

- Modular

CL = mm
 R = mm
 S = mm
 If R and S are set to "0", no cutouts will be made.



Customer: _____

Door id: _____

Project No: _____

Ref: _____

Date: _____

Sign: _____

ASSA ABLOY SW100-2
Arm system PULL & PUSH

Swing door operator

ASSA ABLOY

12.0 1005082-en